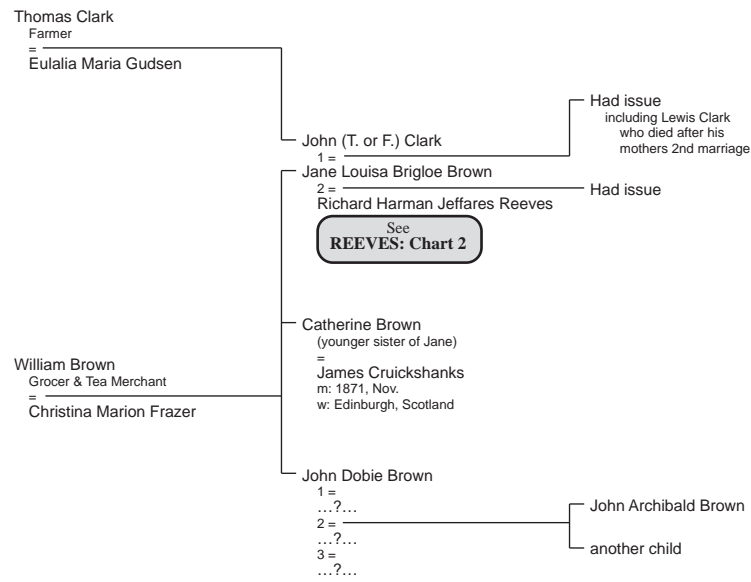


CLARK: Chart 1
The connection of the Clark and Brown families with the Reeves family of Australia and New Zealand.
 Constructed from information provided by Elsie (nee Arnold) Curnow and from other miscellaneous sources.
Drawn c1994



John Clark and Jane L.B. Brown were married on Jan. 21, 1854 at the residence of a Congregational Minister in Lonsdale Street, Melbourne, Victoria, Australia.

John Clarke was then aged 34 years, born 1820 in Essex, England and was a Commission Agent. He died in July 1859 of an "hepatic abcess" in Ballarat Hospital, Victoria.

Jane L.B. Brown was aged 19 years, born in 1835.